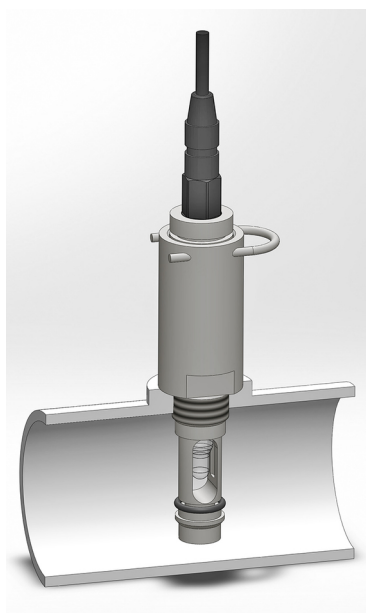


On-line holder for pH or ORP electrode 9400



Type 9423



- Fitted on full pipeline

- On-line holders for 1 electrode
- For full piping
- Materials: PPH or PVDF
- Mounting: screw fitting 3/4" G
- Version for inserting and removing the electrode (PG 13.5) with full pipe

APPLICATIONS

Holders for pH/ ORP electrodes for on-line mounting, full pipe

DESCRIPTION

9420 Series holders, with pH or ORP electrodes, allow measurements directly on pipe under pressure. Their fitting systems make easy inserting or removing the electrode for calibration routines.

Holders 9423 and 9424 allow assembly and disassembly of the electrode even on full pipe.

Associated electrodes:

9420 series holders are compatible with combined electrodes with a fitting PG 13.5

Caution: Conductivity cells BF1200 are not compatible with holders 9400 series. For any doubt, please contact us for more information on electrodes (data-sheet 150-01) and choice according to operating conditions.

TECHNICAL FEATURES

Body	PPH or PVDF
Seals	FPM
Fittings	PPH & PVDF: 3/4" G
Temperature/ Pressure limits	PPH: Max. 70 °C at 0 barg; Max. 50 °C at 5 barg PVDF: Max. 100 °C / 5 bar

CODE NUMBERS AND REFERENCES

Code	Type	Description
141 425	9423	Holder in PPH, 3/4" G
141 426	9424	Holder in PVDF, 3/4" G

BAMO MESURES

22, Rue de la Voie des Bans · Z.I. de la gare · 95100 ARGENTEUIL

Tel +33 (0)1 30 25 83 20 Web www.bamo.fr

Fax +33 (0)1 34 10 16 05 E-mail info@bamo.fr

On-line holder for pH or ORP
electrode
9400

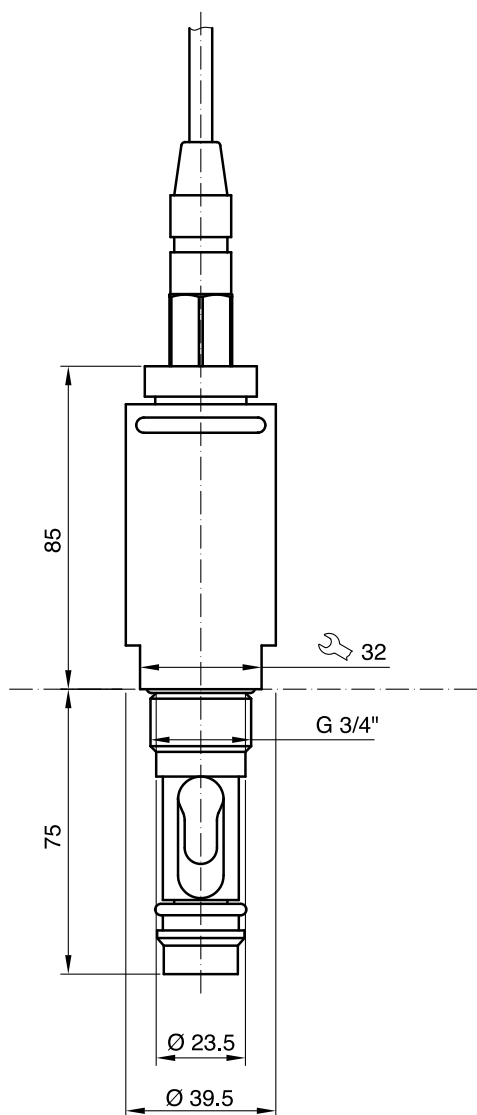
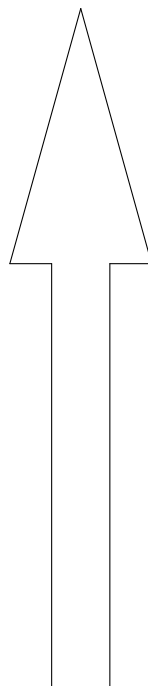
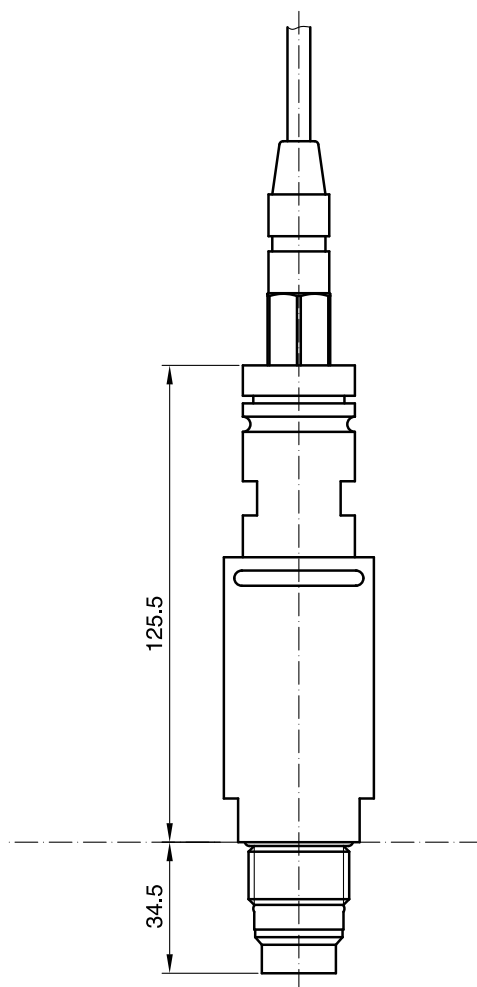
20-11-2018

D-141.01-EN-AB

pH

141-01 /1

Electrode in-line

Electrode out of process line
(Maintenance)

BAMO MESURES

22, Rue de la Voie des Bans · Z.I. de la gare · 95100 ARGENTEUIL

Tel +33 (0)1 30 25 83 20 Web www.bamo.fr

Fax +33 (0)1 34 10 16 05 E-mail info@bamo.fr

On-line holder for pH or ORP
electrode
9400

20-11-2018

D-141.01-EN-AB

pH

141-01/2