

RELAYS

CST / KRC

- Relay for compact overflow sensors
MAXIMAT C...,
leakage sensors, MAXIMAT LW-C...
and CAPSYTRON... level switches, pumps
protection



CST

APPLICATIONS

The supply power isolator relay CST is convenient to use when no 24 V DC main supply available on site. It supplies power 15 V DC to a MAXIMAT sensor and it is as well a contact protection of the opto-coupler output of any MAXIMAT / CAPSYTRON sensor.

The coupling relay KRC is a contact protection of the opto coupler output of any MAXIMAT / CAPSYTRON sensor, when there is an existing main power supply of 24 V DC.

TECHNICAL FEATURES

CST Relay

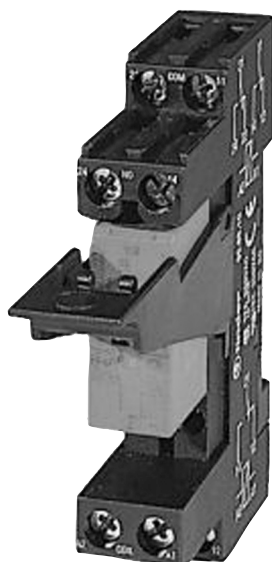
Power supply: 230 V AC
 Sensor power supply: 15 V DC
 Output: 2 floating changeover contacts
 Max. 250 AC / 115 V DC max. 500 VA, 3 A
 Housing: IP 40 for snap-on rail mounting 35x7.5 (EN50 022)
 Terminals: IP 20

CE Mark: In accordance with low-voltage directive (73/23/EWG), EMC directives (89/336/EEC)

KRC Relay

Supply power: 24 V DC
 Output: 2 floating changeover contacts
 Max. 250 AC / 115 V DC max. 500 VA, 3 A
 Housing: IP 20 for snap-on rail mounting 35x7.5 (EN50 022)

CE Mark: In accordance with low-voltage directive (73/23/EWG), EMC directives (89/336/EEC)

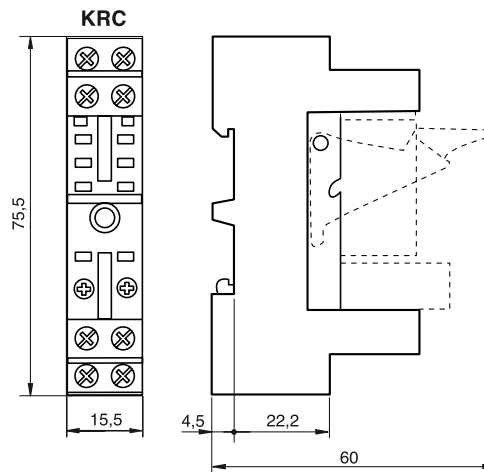
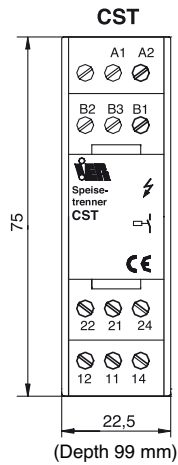


KRC

CODE NUMBERS AND REFERENCES

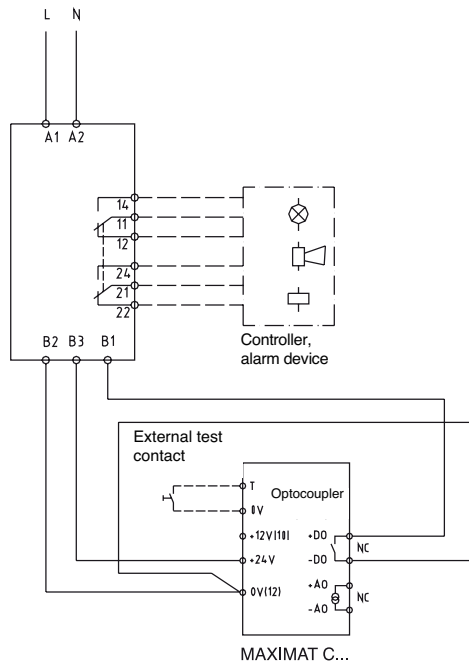
Code	Reference	Designation
555 620	KRC	KRC 24 V DC
555 630	CST	CST 230 V CA 50/60 Hz

DIMENSIONS

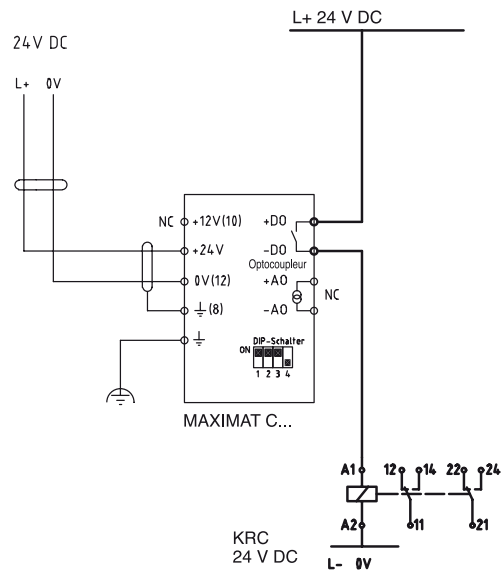


CONNECTIONS

Main power supply 230 V 50/60 Hz
with surge protection



CST connected to a MAXIMAT C/LWC or a CAPSYTRON



KRC connected to a MAXIMAT C or a CAPSYTRON