

ULTRASONIC FLOW METER BAMOFLONIC - PFA



- 4 instruments ND 7 to ND 20
- 4 scales, from 0.09 up to 120 L/min
- Body in PFA
- Analogue output: 0/4-20 mA
- Digital output: to configure on site

PRINCIPLE / APPLICATIONS

BAMOFLONIC – PFA is an ultrasonic flow meter based on the phase difference approach. This phase difference is directly proportional to the flow rate. It is convenient for liquids electrically conductive or not. As no moving parts are concerned, BAMOFLONIC is mechanically reliable. Construction features reduce all dead zones along the measuring tube. Made of PFA, applications are for measuring and dosing fluids highly aggressive such as:

- Strong alkali
- Lixiviates
- Strong acids

Recommended on CIP

TECHNICAL FEATURES

Power supply:	24 V DC / 3.6 W
Outputs:	(x1) Digital output for pulses, empty tube alarm, reverse flow, dosage, min or max flow rate (x1) Analogue output 0/4-20 mA
Input:	(x1) Digital input to start a dosage
Connector:	M12, Plug 5 pins
Option	Cable 10 wires, shielded, 5 m long, PTFE sheathed.
Accuracy:	±1% of reading, ± 0.3 mm/s
Repeatability:	0.5%
Fluid:	Temperature limits from 0 to +80°C
Protection:	IP 65
Pipe fittings:	Quick coupling connectors (flare type) & unions PFA, PFA-C or PVDF On request adaptors NPT thread 3/8", 1/2" 3/4", 1"
Construction:	Body in PFA (Perfluoroalkoxy) and side-housing in PP

CODE NUMBERS AND REFERENCES

Code	776 008	776 011	776 016	776 021
ND	7	10	15	20
Range in L/min	0.09...6	0.3...24	0.9...60	1.2...120
Range in L/h	5.4...360	18...1440	54...3600	72...7200
Pressure limit	7 bar	7 bar	7 bar	7 bar
Fitting	3/8"	1/2"	3/4"	1"

On request: Low scale L/min: 0.03 to 6 L/min, ND 7 and fitting 3/8"

BAMO MESURES

22, Rue de la Voie des Bans - Z.I. de la Gare - 95100 ARGENTEUIL

Tél : (+33) 01 30 25 83 20 - Web : www.bamo.fr

Fax : (+33) 01 34 10 16 05 - E-mail : info@bamo.fr

ULTRASONIC FLOW METRE BAMOFLONIC - PFA

29-10-2014

776 I1 02 D

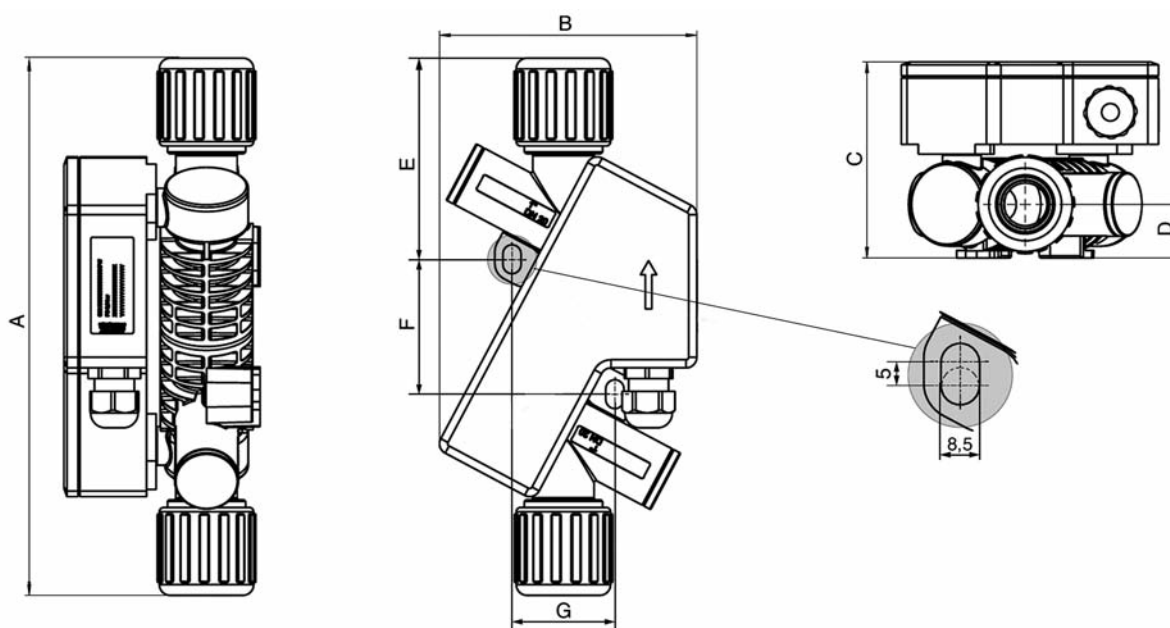
DEB

776-02/1

FLOW FEATURES

Fitting	Dimension	ND	Range [mL/s]	Range [L/min]	Kv [m³/h]	Cv [Gal/min]
FLARE type	3/8"	7	1.5 ... 100	0.09 ... 6	0.70	0.82
	1/2"	10	5.0 ... 400	0.30 ... 24	1.65	1.93
	3/4"	15	15 ... 1000	0.90 ... 60	4.34	5.07
	1"	20	20 ... 2000	1.20 ... 120	8.80	10.30
			Low scale range [mL/s]	Low scale range [L/min]		
	3/8"	7	0.5 ... 100	0.03 ... 6	0.70	0.82

DIMENSIONS



ND	Connection	A /mm	B /mm	C /mm	D /mm	E /mm	F /mm	G	Mass /g
ND 7	3/8"	218	120	79	16	77	63	48	1.3
ND 10	1/2"	219.5	120	79	16	78.5	64	48	1.3
ND 15	3/4"	227	120	82	19	82	64	48	1.3
ND 20	1"	251	120	91.5	25	94	64	48	1.6

BAMO MESURES

22, Rue de la Voie des Bans - Z.I. de la Gare - 95100 ARGENTEUIL

Tél : (+33) 01 30 25 83 20 - Web : www.bamo.fr

Fax : (+33) 01 34 10 16 05 - E-mail : info@bamo.fr

ULTRASONIC FLOW METRE
BAMOFLONIC - PFA

29-10-2014

776 I1 02 D

DEB

776-02/2